

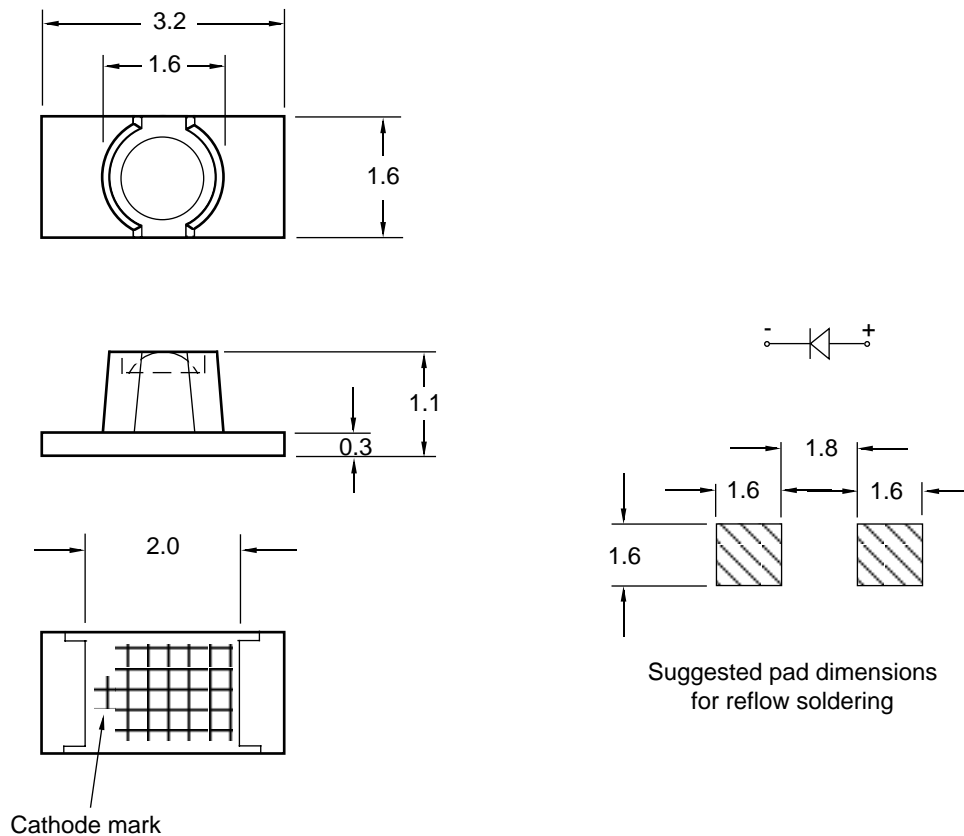
Surface Mount LED J Series for low current or superbright use, 0358 Series Reverse Mount with Inner Lens



The 0358 series is designed to mount to pads on the lower side of a pcb with the LED viewed through a hole. This has the benefit maintaining all parts of the LED below the surface of the PCB, making it especially suitable for use with membrane overlays and applications where a smooth front surface is desired. It is the same as the 0348 series except that it incorporates a lens to provide a different view effect.



RoHS Compliant
Aug 2004



GENERAL INFORMATION

Operating Temperature Range	-40 °C to +85 °C
Storage Temperature Range	-40 °C to +90 °C
Reflow Soldering Temperature	260 °C for 5 sec max

APPLICATION INFORMATION (ALL RATINGS AT 25 °C AMBIENT)

Part No.	Emitted Color	Peak	$\Delta\lambda$	Absolute Maximum Ratings					E/O Characteristics					
		λ		Pd	If (mA)		Ir	Vr	Iv (mcd) @ If=20mA		Vf (V) @ If=20mA		$2\Theta_{1/2}$	
		(nm)			(mW)	dc			1/10 duty @ 1 kHz	@ Vr=5V (μ A)	(V)	2mA		Min
JRC0358	Red	632	20	60	25	160	10	5	3	18	44	2.0	2.4	130
JGC0358	Green	575	20	60	25	160	10	5	1	12	18	2.0	2.4	130
JYC0358	Yellow	591	15	60	25	160	10	5	3	18	45	2.0	2.4	130
JOC0358	Orange	621	18	60	25	160	10	5	3	18	45	2.0	2.4	130
JYOC0358	YelOrng	611	17	60	25	160	10	5	3	18	45	2.0	2.4	130

Specifications subject to change without notice. Dimensions are in mm \pm 0.3 unless stated otherwise.

IDEA, Inc., 1351 Titan Way, Brea, CA 92821 Ph:714-525-3302, 800-LED-IDEA; Fax: 714-525-3304 0508

013S-J0358